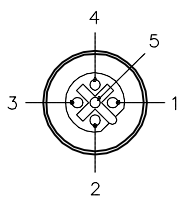
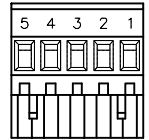

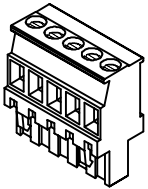
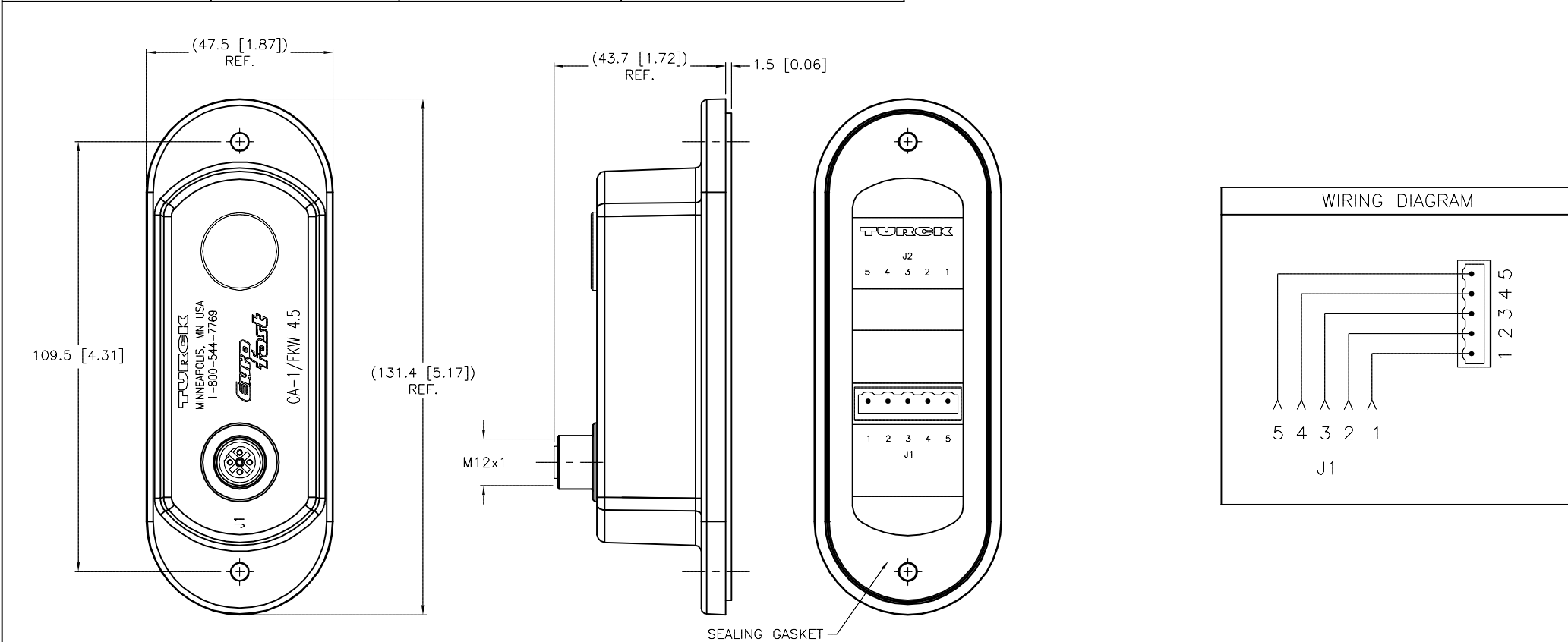
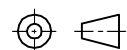


J1 CONNECTOR	TERMINAL BLOCK PLUG	COVER SCREWS INCLUDED	TERMINAL PLUG INCLUDED	SPECIFICATIONS	
		 <p>FORM 8 CONDUIT BODIES: 10-24 SCREWS</p> <p>MARK 9 CONDUIT BODIES: 8-32 SCREWS</p>		HOUSING MATERIAL/COLOR	NYLON 66 - 33% GLASS FILLED/BLACK
				RECEPTACLE HOUSING MATERIAL/PLATING	BRASS/NICKEL
				CONTACT CARRIER/COLOR	TPU/BLUE-GRAY
				CONTACT MATERIAL/PLATING	BRASS/GOLD
				OPERATING VOLTAGE	250 V
				OPERATING CURRENT	4.0 A PER CONDUCTOR
				PROTECTION CLASS to DIN 40050	IP 67 - ONLY WHEN RECEPTACLE IS COVERED WITH A PLUG OR CONNECTED
				OPERATING TEMPERATURE	-30°C to +80°C (-22°F to +176°F)



SOURCE DRAWING - FOR REFERENCE ONLY

RELATED DOCUMENTS				3RD ANGLE PROJECTION		THIS DRAWING IS CONFIDENTIAL AND THE PROPERTY OF TURCK INC. USE OF THIS DOCUMENT WITHOUT WRITTEN PERMISSION IS PROHIBITED.		<b>TURCK INC</b> High Technology Sensors and Automation Controls 3000 CAMPUS DRIVE MINNEAPOLIS, MN 55441 1-800-544-7769 (763) 553-7300 (763) 553-0708 fax turck.com	
1. 2. 3. 4.						DRFT RDS DATE 10/17/08 APVD SCALE 1=1.5		DESCRIPTION CA-1/FKW 4.5	
MATERIAL SEE SPECIFICATIONS				ALL DIMENSIONS DISPLAYED ON THIS DRAWING ARE FOR REFERENCE ONLY		UNIT OF MEASUREMENT <b>MILLIMETER [ INCH ]</b>		IDENTIFICATION NO. U3-10794	
FINISH SEE SPECIFICATIONS				CONTACT TURCK FOR MORE INFORMATION		DO NOT SCALE THIS DRAWING		REV D	
D ADD THICKER GASKET				RDS 09/12/13 42993		FILE: U3-10794		SHEET 1 OF 1	
REV DESCRIPTION				BY DATE ECO NO.					